

8 7 6 5 4 3 2 1

NOTES:

1. USER MUST DETERMINE FITNESS FOR USE IN APPLICATION.
2. DYNAMIC TORQUE AND PART NUMBERS SEE PAGE 2
3. ENVIRONMENTAL CONDITIONS: -20° TO +80°C. UP TO 10% OF LIFE CYCLES AT HOT AND COLD CONDITIONS.
4. LIFE CYCLE: 50,000 TOTAL ADJUSTMENTS. ONE ADJUSTMENT EQUALS MOVEMENT IN ANY DIRECTION UP TO FULL TRAVEL, OR 90° MAX WHEN DUTY CYCLE IS LESS THAN 10% AND SPEED IS LESS THAN 60 RPM.
5. PART MARKED WITH DATE (MOYR) AND TORQUE ORDER NUMBER.
EXAMPLE: 0617
1.0A
6. MATERIAL:
COVER AND BASE: ENGINEERED PLASTIC
SHAFT: NITRIDED STEEL
BALL AND TORQUE ELEMENT: HARDENED STEEL
LUBRICANT: MINERAL OIL BASED
7. SHAFT TO COVER ANGLE NOT CONTROLLED.
8. MAX BENDING MOMENT ON SHAFT = 13 Nm [115 LB-IN].

CATALOG CODE

SJ - 300 - X.XX - XX - XX

TORQUE Nm
1.0A - ASYMMETRIC
2.0A - ASYMMETRIC

SHAFT END
01 - EXTERNAL M6

MOUNTING TYPE
01 - COUNTERBORE

SPECIFICATION SUBJECT TO CHANGE

LEVEL	DESCRIPTION		DRAWN	DATE	APPROVED
DRAWN:	HMA	DATE: 10AUG15	PART NO:		
CHECKED:	TDN	DATE: 12MAY16	TITLE:		
APPROVED:	TDN	DATE: 12MAY16	SALES DRAWING		
REVISED:	19OCT20	DIMS: mm			
INTERPRET PRINT PER ASME Y14.5M-1994 THIS PRINT IS THE CONFIDENTIAL PROPERTY OF REELL PRECISION MFG. REELL REELL PRECISION MANUFACTURING 1259 WILLOW LAKE BOULEVARD SAINT PAUL, MINNESOTA 55110-5103, USA			REFERENCE:	SJ - 300	REV: B
			SCALE: 1:1	DO NOT SCALE DRAWING	SHEET 1 OF 2

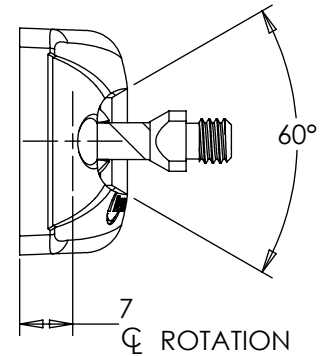
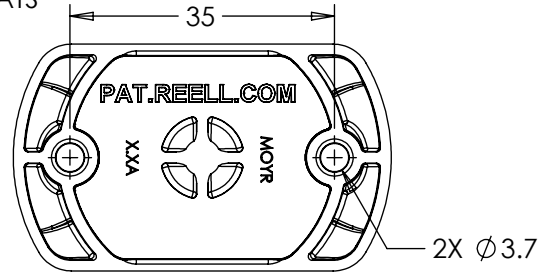
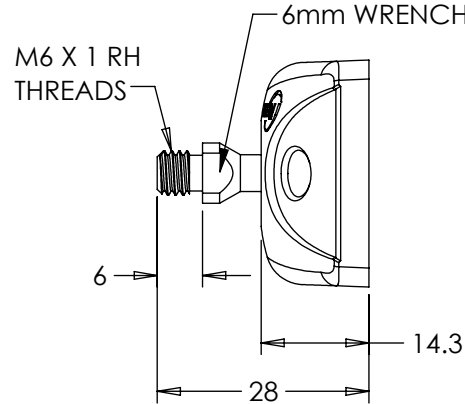
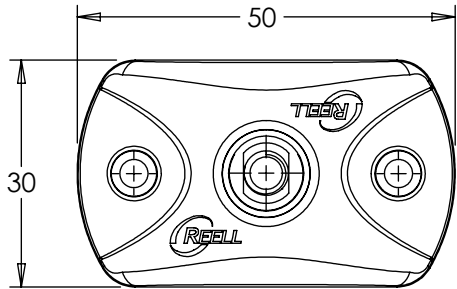
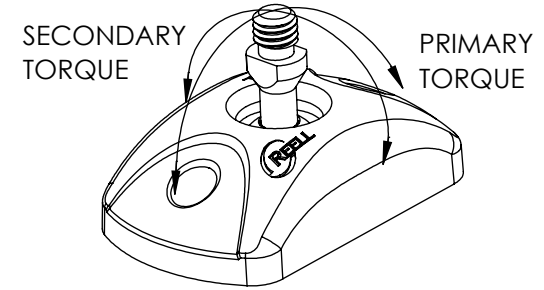
THIRD ANGLE PROJECTION

8 7 6 5 4 3 2 1

CATALOG CODE	DYNAMIC TORQUE								
	PRIMARY TORQUE		PRIMARY TORQUE TOLERANCE	SECONDARY TORQUE		SECONDARY TORQUE TOLERANCE	ROTATIONAL TORQUE		ROTATIONAL TORQUE TOLERANCE
	Nm	[LB-IN]		Nm	[LB-IN]		Nm	[LB-IN]	
SJ-300-1.0A-01-01	1.0	8.8	±30%	0.6	5.3	±30%	1.3	11.5	±30%
SJ-300-2.0A-01-01	2.0	17.7	±30%	1.4	12.4	±30%	2.6	23.0	±30%

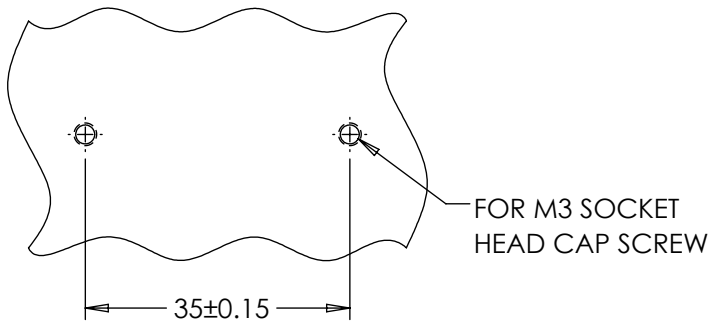
PRODUCT TORQUE SPECIFICATION AT +20°C.

SJ - 300 - X.XA -01 -01



AXIS OF ROTATION DIMENSION FOR CUSTOMER MOUNTING AND CALCULATIONS ONLY.

CUSTOMER MOUNTING CONFIGURATION



SPECIFICATION SUBJECT TO CHANGE

ALL DIMENSIONS REFERENCE SEE CAD MODEL FOR UNSPECIFIED FEATURES

LEVEL	DESCRIPTION	DRAWN	DATE	APPROVED
DRAWN:	HMA	DATE:	10AUG15	PART NO:
CHECKED:	TDN	DATE:	12MAY16	
APPROVED:	TDN	DATE:	12MAY16	
REVISED:	19OCT20	DIMS:	mm	
SALES DRAWING				
REFERENCE: SJ - 300				REV: B
SCALE: 1:1	DO NOT SCALE DRAWING	SHEET 2 OF 2		

INTERPRET PRINT PER ASME Y14.5M-1994
THIS PRINT IS THE CONFIDENTIAL PROPERTY OF REELL PRECISION MFG.
THIRD ANGLE PROJECTION

REELL
REELL PRECISION MANUFACTURING
1259 WILLOW LAKE BOULEVARD
SAINT PAUL, MINNESOTA 55110-5103, USA